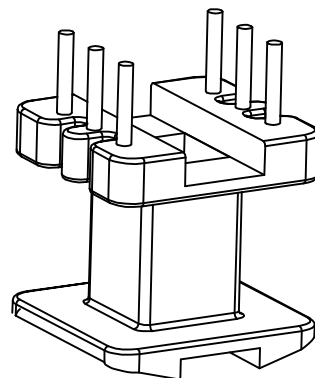
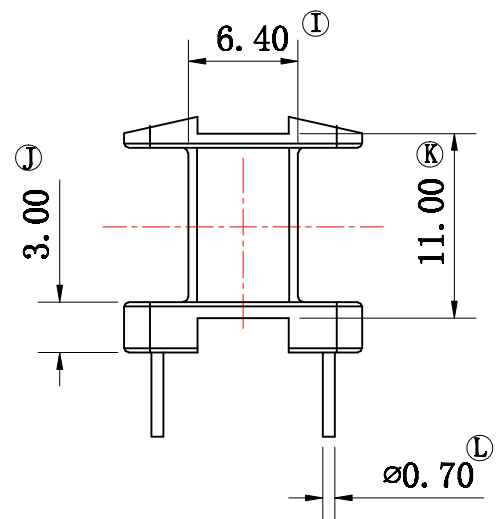
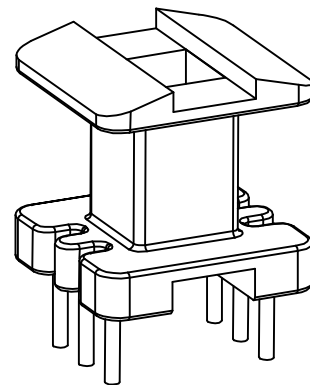
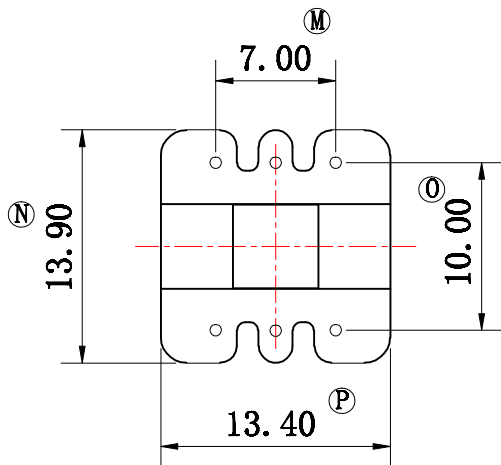
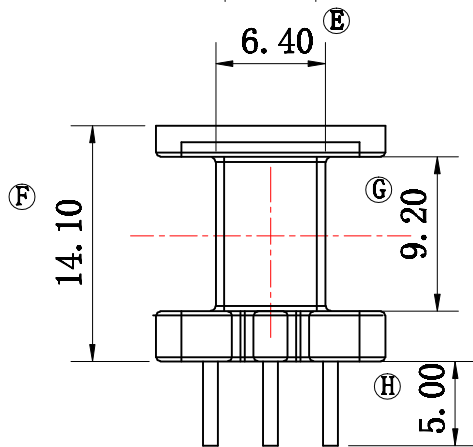
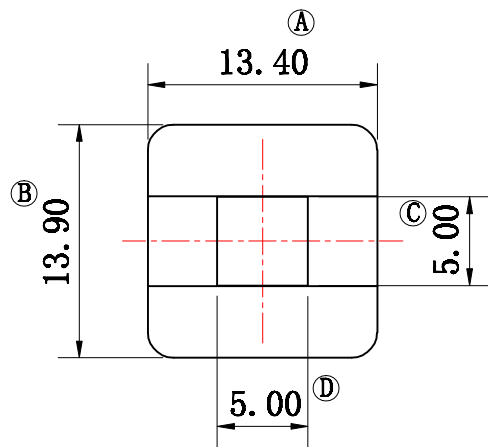


## FWB1914-J



| REV   | REVISION RECORD | DATE  | REV      | REVISION RECORD                             | DATE  |      |   |
|---|-----------------|---|----------|---|-------|------|---|
| A   |                 |   | C        |   |       |      |   |
| B   |                 |   | D        |   |       |      |   |
| NAME  | EE19 3+3P       | MATERIAL                                      | PHENOLIC | SCALE                                       | ANGLE | ± 1° |   |
| DRAWING NO.   | FWB1914-J       | PIN MATERIAL                                  | CP WIRE  | UNIT  | m/m   | REV  | A |
| TOLERANCE OF PIN PITCH ± 0.20                           |                 |   |          | <b>HAINING FERRIWO ELECTRONICS CO.,LTD.</b> |       |      |   |
| PIN TENSION LOAD      kg MN                             |                 | UL REC: 94V-0                                 |          | TEL: +86-573-87088701 FAX: +86-573-87081130 |       |      |   |
| TOLERANCE: 0<L≤4: ±0.2    4<L≤16: ±0.3    16<L≤63: ±0.4 |                 | Web: www.ferriwo.com Email: sales@ferriwo.com |          |   |       |      |   |